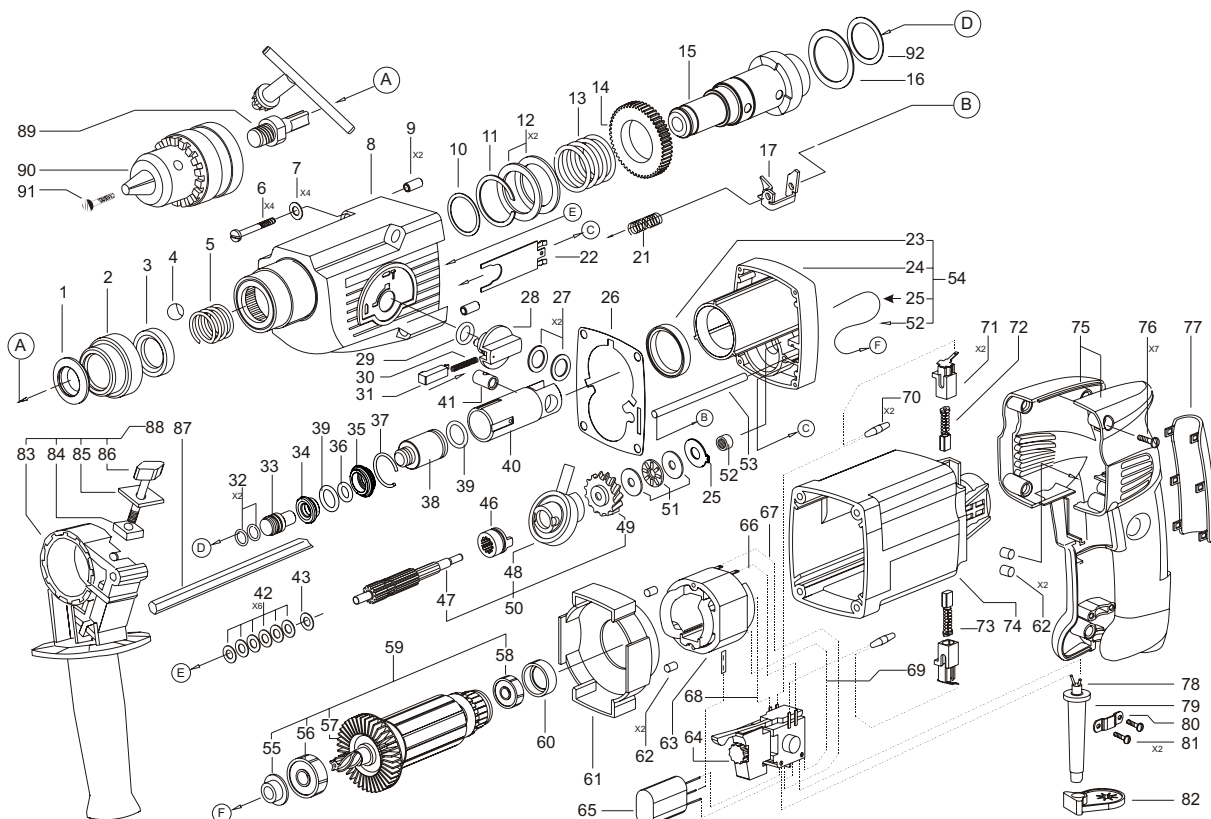


POS. No.	Ref.No.	Description	POS. No.	Ref.No.	Description
1	126964	Circlip	50	154582	Gear shaft complement
2	170063	Releasing bush	51	330915	Bearing AX 0821 INA
3**	156064	Ring	52	330119	Bearing HK0609
3	175345	Limit location Ring	53	126997	Axle
4	330097	Pellet 6,747-100	54	154571	Bearing shield set
5	156066	Spring	55	150144	Bush
6	360449	Screw M4X40/20 8.8	56	330291	Bearing 60002ZP63LDS18
7	360010	Spring washer 4H	57	121852	Fan
8	154836	Gear box set	58	330287	Bearing 627-2ZP6LDS18
9	127034	Bush	59	150142	Armature set
10	126982	Spacer washer	60	164934	Rubber bush
11	330745	Circlip B30-4B	61	129789	Diffuser
12	127035	Spacer washer	62	272960	Claming pin
13	130731	Spring	63	150355	Stator set
14	126971	Spindle gear	64	173359	Switch Defond DGQ 1112-HA
15	156067	Spindle	65	152856	Capacitor
16	126983	Spacer washer	66	128989	Outlet
17	151374	Switching plate	67	116528	Outlet
21	154071	Springs	68	127558	Outlet
22	151377	Spring	69	116546	Outlet
23	150138	Bearing	70	116229	Choke
24	154497	Bearing shield	71	126917	Brush holder set
25	154499	Special Washer	72	125052	Brush with a switch
26	126996	Gasket	73	125051	Brush
27	115431	Spacer washer	74	127012	Body
28	170071	Switch knob	75	151204	Casing handle set
29	330337	O-ring 13x1.5	76	361425	Screw K4X16 TORX 20
30	127005	Spring	77	128006	Insert
31	170072	Fixing bit	78	127979	Cord with a plug
32	330676	O-ring 10x1.5 - FPM70	79	125053	Cord protector
33	130735	Medial mandrel	80	256500	Cord clamp
34	154451	Bush	81	361360	Screw K 4X9.5 TORX 20
35	154452	Bush	82	160963	Key holder
36	331283	O-ring 9x3 - FPM70	83	121133	Handle
37	330888	Spring ring	84	114032	Nut M6
38	130739	Piston	85	271221	Plate
39	330236	O-RING 14X3C	86	121306	Butterfly screw set
40	127036	Cylinder	87	121134	Depth gauge
41	128408	Axle	88	121152	Handle set
42	115221	Spring 12x6,2x0,5	89	127040	Adapter for chuck
43	126987	Spacer washer	90	118984	Chuck B13L
46	151372	Bush	91	360582	Screw M6LHX30-8.8
47	154069	Gear shaft	92	150137	Spacer washer
48	126994	Rolling thrust bearing			
49	154585	Large intermediate gear			

\*\* - fill 27.Apr. 2014



173192

157602